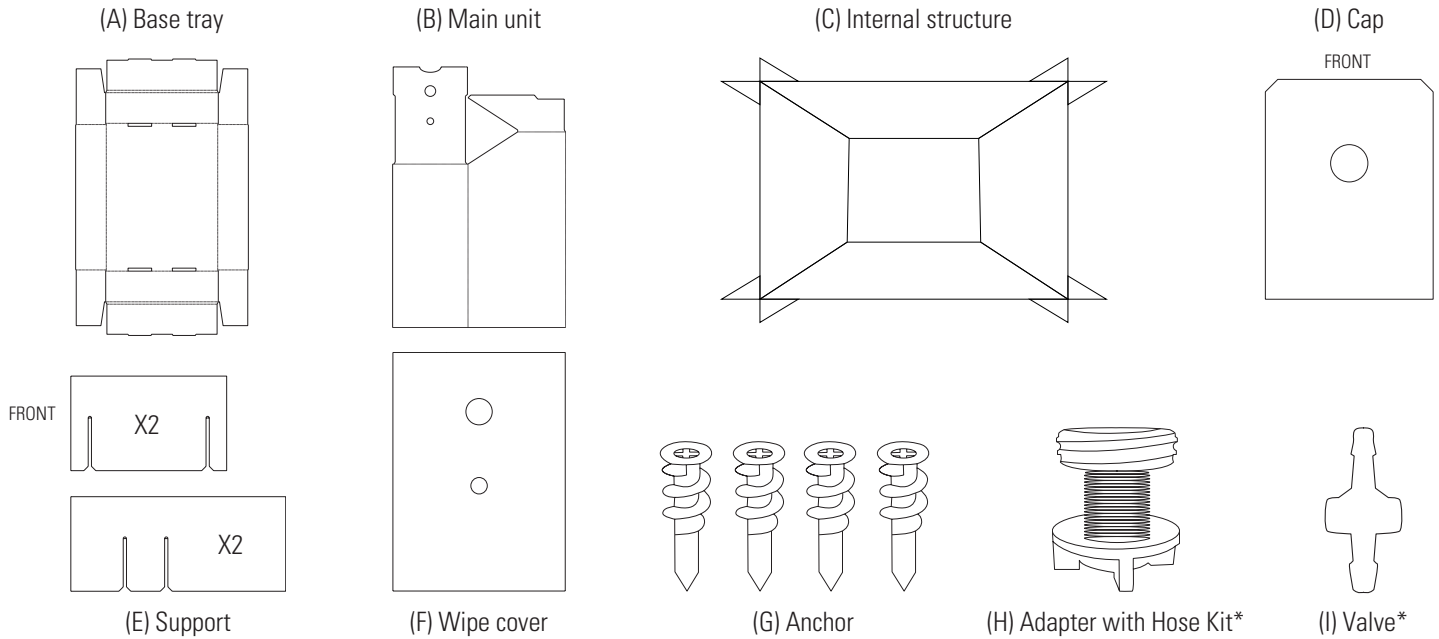




ASSEMBLY INSTRUCTIONS

Parts Identification (Structure)



*USB-chargeable pump only

Sanitizing components

Sanitizing jug
 Pump tube
 Sanitizing charge
 Wipes bucket
 Pump head

Assembly instructions

- 1) Take base tray (A) and fold together to form base. Set on flat, dry surface.
- 2) Open main unit (B) to form structure and insert into base.
- 3) Unfold internal structure (C) and insert into main unit (B).
- 4) Place hand sanitizing jug into internal structure (C). Insert pump tube stainless tip into sanitizing jug. Screw cap (with pump tube running through it) onto jug to secure pump tube in jug.
- 5) Place cap (D) over internal structure (C). Feed pump tube through opening of (D) and rest on top of (D) loosely.
- 6) Interlock support (E). Place on top of (D).
- 7) Place wipe roll in provided bucket, and pour sanitizing charge over wipe towels in bucket. Place bucket inside of support (E), and feed first wipe towel through the bucket lid.
- 8) Align wipe cover (F) with front side of the top cover of main unit (B).
- 9) Get pump head. Unscrew lock nut/rubber washer off of pump. Thread male end of pump through smaller hole of wipe cover (F) aligned with smaller hole of top cover of main unit (B).
 - * If using USB-chargeable pump, use pump head adapter (H) for this step.
- 10) Thread lock nut on, hand tight plus a quarter turn. Do not overtighten.
- 11) Attach loose pump tube end to pump head by pressing tube on to pump head nipple firmly.
 - * For USB-chargeable pump, ensure that valve (I) is pointing cone-shaped end facing toward the pump.
- 12) Fold (B) to lock.
- 13) Using a Phillips head screwdriver, install anchors (G) through all four sides of the base tray into the main unit structure until flush. **DO NOT OVERTIGHTEN!**
- 14) Prime pump by pushing consistently for several minutes. Note: if station is located in low-traffic area without daily use, pump may need to be re-primed more often.
 - * For USB pumps, priming typically takes 10-20 hand waves under sensor.